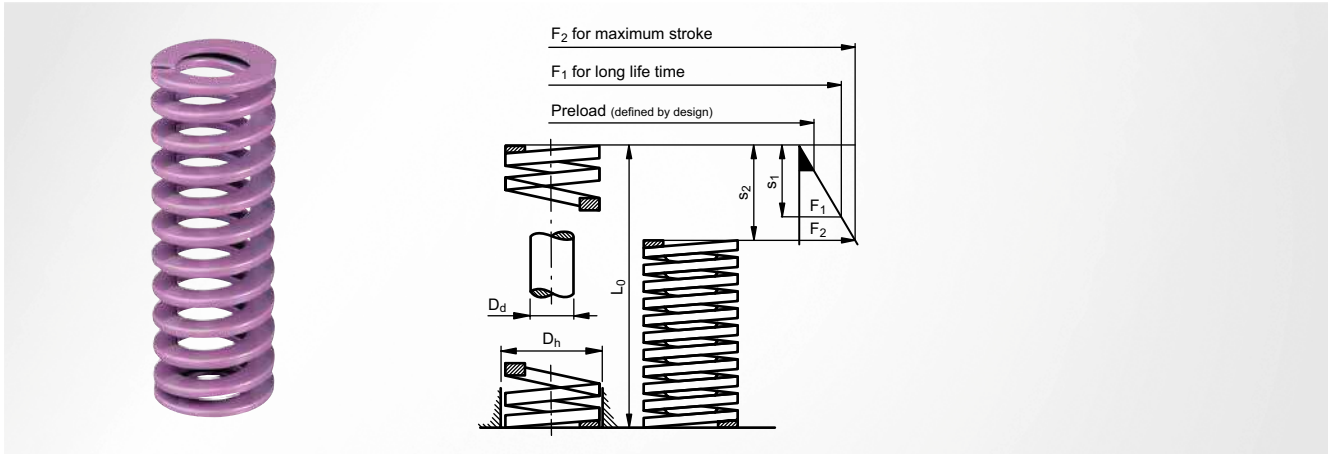


SZ8005 System spring

extra light load, identification colour lilac



Material

Profiled valve spring steel wire (52SiCrNi5)

Wire cross-section

rectangular

Spring type

Helical compression spring

Note

Spring is set, closed and rectangular ground

Sleeve Ø D _h ^{H15}	Pin Ø D _d ^{H15}	Wire	L ₀	Spring rate N/mm c ±10 %	long life time		max. stroke		Item number
					s ₁ ^{35 %}	F ₁ N	s ₂ ^{50 %}	F ₂ N	
10.0	5.0	2.1 x 0.9	25	8.5	8.8	74	12.5	106	SZ8005 10 x 025
			32	6.5	11.2	73	16.0	104	SZ8005 10 x 032
			38	5.5	13.3	73	19.0	105	SZ8005 10 x 038
			44	5.0	15.4	77	22.0	110	SZ8005 10 x 044
			51	4.5	17.9	80	25.5	115	SZ8005 10 x 051
			64	3.3	22.4	74	32.0	106	SZ8005 10 x 064
			76	3.2	26.6	85	38.0	122	SZ8005 10 x 076
			305	0.6	106.8	64	152.5	92	SZ8005 10 x 305
			12.5	6.3	2.5 x 1.2	25	15.5	8.8	136
32	12.2	11.2				137	16.0	195	SZ8005 13 x 032
38	10.3	13.3				137	19.0	196	SZ8005 13 x 038
44	8.7	15.4				134	22.0	191	SZ8005 13 x 044
51	7.5	17.9				134	25.5	191	SZ8005 13 x 051
64	5.8	22.4				130	32.0	186	SZ8005 13 x 064
76	4.7	26.6				125	38.0	179	SZ8005 13 x 076
89	4.1	31.2				128	44.5	182	SZ8005 13 x 089
102	3.6	35.7				129	51.0	184	SZ8005 13 x 102
16.0	8.0	3.4 x 1.2	25	20.2	8.8	177	12.5	253	SZ8005 16 x 025
			32	14.4	11.2	161	16.0	230	SZ8005 16 x 032
			38	12.3	13.3	164	19.0	234	SZ8005 16 x 038
			44	10.6	15.4	163	22.0	233	SZ8005 16 x 044
			51	8.9	17.9	159	25.5	227	SZ8005 16 x 051
			64	7.0	22.4	157	32.0	224	SZ8005 16 x 064
			76	5.8	26.6	154	38.0	220	SZ8005 16 x 076
			89	4.8	31.2	150	44.5	214	SZ8005 16 x 089
			102	4.0	35.7	143	51.0	204	SZ8005 16 x 102
20.0	10.0	4.0 x 1.7	25	32.1	8.8	281	12.5	401	SZ8005 20 x 025
			32	24.7	11.2	277	16.0	395	SZ8005 20 x 032
			38	20.7	13.3	275	19.0	393	SZ8005 20 x 038
			44	17.8	15.4	274	22.0	392	SZ8005 20 x 044
			51	15.3	17.9	273	25.5	390	SZ8005 20 x 051
			64	12.1	22.4	271	32.0	387	SZ8005 20 x 064
			76	10.2	26.6	271	38.0	388	SZ8005 20 x 076

extra light load, identification colour lilac

Sleeve Ø D_h^{H15}	Pin Ø D_d^{H15}	Wire	L_0	Spring rate N/mm $c_{\pm 10\%}$	long life time		max. stroke		Item number			
					$s_1^{35\%}$	F_1 N	$s_2^{50\%}$	F_2 N				
20.0	10.0	4.0 x 1.7	89	8.6	31.2	268	44.5	383	SZ8005 20 x 089			
			102	7.5	35.7	268	51.0	383	SZ8005 20 x 102			
			115	6.7	40.3	270	57.5	385	SZ8005 20 x 115			
			127	6.1	44.5	271	63.5	387	SZ8005 20 x 127			
			139	5.5	48.7	268	69.5	382	SZ8005 20 x 139			
			152	5.1	53.2	271	76.0	388	SZ8005 20 x 152			
			305	2.5	106.8	267	152.5	381	SZ8005 20 x 305			
25.0	12.5	5.4 x 2.2	25	52.7	8.8	461	12.5	659	SZ8005 25 x 025			
			32	40.0	11.2	448	16.0	640	SZ8005 25 x 032			
			38	33.3	13.3	443	19.0	633	SZ8005 25 x 038			
			44	28.6	15.4	440	22.0	629	SZ8005 25 x 044			
			51	24.7	17.9	441	25.5	630	SZ8005 25 x 051			
			64	19.4	22.4	435	32.0	621	SZ8005 25 x 064			
			76	16.3	26.6	434	38.0	619	SZ8005 25 x 076			
			89	13.9	31.2	433	44.5	619	SZ8005 25 x 089			
			102	12.1	35.7	432	51.0	617	SZ8005 25 x 102			
			115	10.8	40.3	435	57.5	621	SZ8005 25 x 115			
			127	9.8	44.5	436	63.5	622	SZ8005 25 x 127			
			139	8.9	48.7	433	69.5	619	SZ8005 25 x 139			
			152	8.1	53.2	431	76.0	616	SZ8005 25 x 152			
			178	6.9	62.3	430	89.0	614	SZ8005 25 x 178			
			203	6.1	71.1	433	101.5	619	SZ8005 25 x 203			
			305	4.0	106.8	427	152.5	610	SZ8005 25 x 305			
			32.0	16.0	6.4 x 2.7	38	43.8	13.3	583	19.0	832	SZ8005 32 x 038
44	37.5	15.4				578	22.0	825	SZ8005 32 x 044			
51	32.3	17.9				577	25.5	824	SZ8005 32 x 051			
64	25.4	22.4				569	32.0	813	SZ8005 32 x 064			
76	21.3	26.6				567	38.0	809	SZ8005 32 x 076			
89	18.1	31.2				564	44.5	805	SZ8005 32 x 089			
102	15.8	35.7				564	51.0	806	SZ8005 32 x 102			
115	13.9	40.3				559	57.5	799	SZ8005 32 x 115			
127	12.6	44.5				560	63.5	800	SZ8005 32 x 127			
139	11.4	48.7				555	69.5	792	SZ8005 32 x 139			
152	10.5	53.2				559	76.0	798	SZ8005 32 x 152			
178	8.9	62.3				554	89.0	792	SZ8005 32 x 178			
203	7.8	71.1				554	101.5	792	SZ8005 32 x 203			
254	6.2	88.9				551	127.0	787	SZ8005 32 x 254			
305	5.2	106.8				555	152.5	793	SZ8005 32 x 305			
40.0	20.0	7.8 x 3.4				51	50.8	17.9	907	25.5	1295	SZ8005 40 x 051
						64	39.7	22.4	889	32.0	1270	SZ8005 40 x 064
			76	33.1	26.6	880	38.0	1258	SZ8005 40 x 076			
			89	28.1	31.2	875	44.5	1250	SZ8005 40 x 089			
			102	24.5	35.7	875	51.0	1250	SZ8005 40 x 102			
			115	21.6	40.3	869	57.5	1242	SZ8005 40 x 115			
			127	19.5	44.5	867	63.5	1238	SZ8005 40 x 127			
			139	17.8	48.7	866	69.5	1237	SZ8005 40 x 139			
			152	16.3	53.2	867	76.0	1239	SZ8005 40 x 152			
			178	13.8	62.3	860	89.0	1228	SZ8005 40 x 178			
			203	12.1	71.1	860	101.5	1228	SZ8005 40 x 203			
			254	9.7	88.9	862	127.0	1232	SZ8005 40 x 254			
			305	8.0	106.8	854	152.5	1220	SZ8005 40 x 305			
			50.0	25.0	10.7 x 4.4	64	80.2	22.4	1796	32.0	2566	SZ8005 50 x 064
						76	66.9	26.6	1780	38.0	2542	SZ8005 50 x 076
89	56.6	31.2				1763	44.5	2519	SZ8005 50 x 089			
102	49.3	35.7				1760	51.0	2514	SZ8005 50 x 102			
115	43.5	40.3				1751	57.5	2501	SZ8005 50 x 115			
127	39.3	44.5				1747	63.5	2496	SZ8005 50 x 127			
139	35.8	48.7				1742	69.5	2488	SZ8005 50 x 139			
152	32.8	53.2				1745	76.0	2493	SZ8005 50 x 152			

SZ8005 System spring

extra light load, identification colour lilac

Sleeve Ø D_h^{H15}	Pin Ø D_d^{H15}	Wire	L_0	Spring rate N/mm $c \pm 10\%$	long life time		max. stroke		Item number
					$s_1^{35\%}$	F_1 N	$s_2^{50\%}$	F_2 N	
50.0	25.0	10.7 x 4.4	178	27.8	62.3	1732	89.0	2474	SZ8005 50 x 178
			203	24.2	71.1	1719	101.5	2456	SZ8005 50 x 203
			254	19.2	88.9	1707	127.0	2438	SZ8005 50 x 254
			305	16.0	106.8	1708	152.5	2440	SZ8005 50 x 305
63.0	38.0	11.4 x 5.1	76	57.8	26.6	1537	38.0	2196	SZ8005 63 x 076
			89	51.4	31.2	1601	44.5	2287	SZ8005 63 x 089
			102	44.4	35.7	1585	51.0	2264	SZ8005 63 x 102
			115	41.6	40.3	1674	57.5	2392	SZ8005 63 x 115
			127	33.2	44.5	1476	63.5	2108	SZ8005 63 x 127
			152	27.4	53.2	1458	76.0	2082	SZ8005 63 x 152
			178	24.0	62.3	1495	89.0	2136	SZ8005 63 x 178
			203	21.0	71.1	1492	101.5	2132	SZ8005 63 x 203
			254	16.4	88.9	1458	127.0	2083	SZ8005 63 x 254
			305	13.6	106.8	1452	152.5	2074	SZ8005 63 x 305