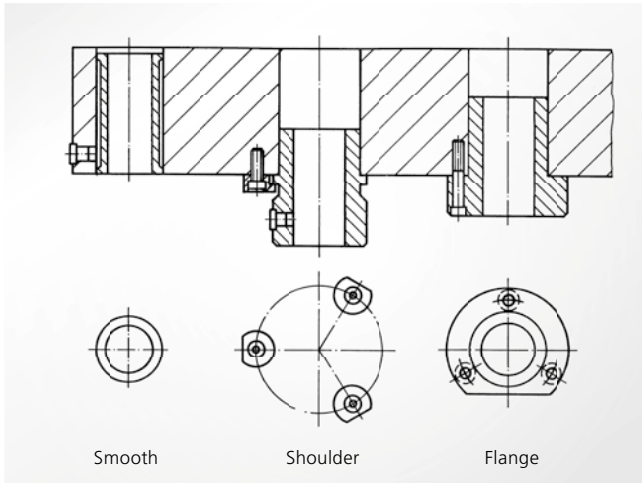


## Installation instructions: sliding and roller guides



- The bushes must not be pressed. Pressing may result in deformation of the internal diameter.
- For security, smooth bushes must be stuck in the mounting bore (with Loctite 603, part number SZ9742). Adhesive surfaces must be completely free of grease. Please observe the instructions of the adhesive manufacturer.
- For flange bushes and guide bushings with shoulders, the shoulder and flange surfaces that are rectangular ground to the guide bore are pressed firmly to the plate with holding clamps or screws.
- Guides are to be furnished with a lubricating film.
- Frame plates must be brought together in parallel.
- When the roller guides are brought together, the rollers or balls must perform a rolling movement and must not slide.

