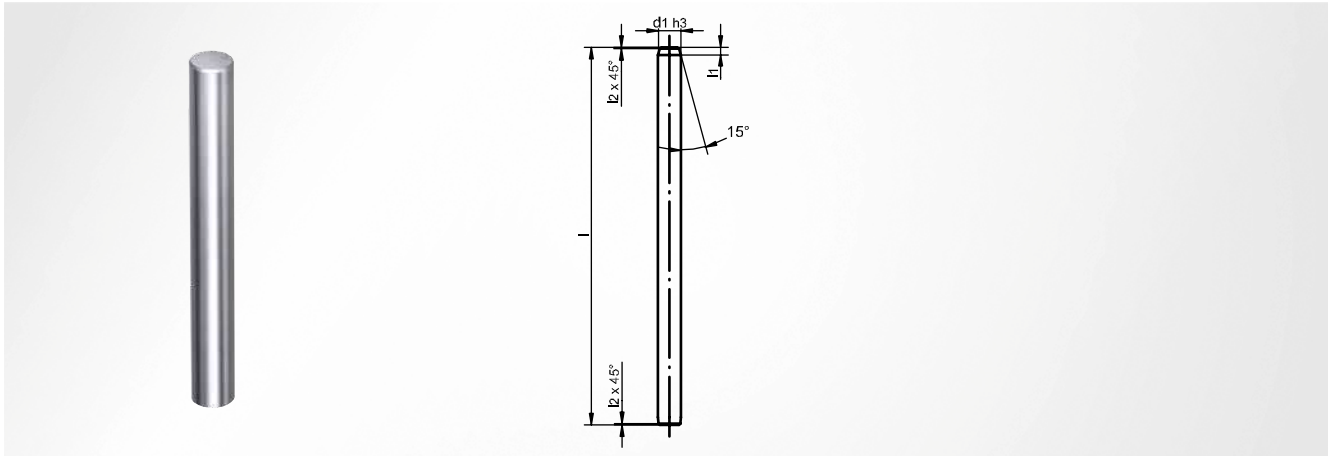


# ST7190 Guide pillar

smooth, Mini-series



**Material**

Steel 1.7131 (16MnCr5); case-hardened

**Hardness**

62 ±2 HRC

**Guide diameter**

ISO h3

**Installation instruction**

one-sided entry chamfer or centring attachment

**Note**

Material for Ø 3-6 mm steel 1.2379

**Installation in mounting bore**

ISO P6

$d_1^{h3}$	l	$l_1$	$l_2$	Item number
3	30	1.5	0.2	ST7190 <b>03 x 030</b>
	40	1.5	0.2	ST7190 <b>03 x 040</b>
	60	1.5	0.2	ST7190 <b>03 x 060</b>
	80	1.5	0.2	ST7190 <b>03 x 080</b>
4	50	1.5	0.2	ST7190 <b>04 x 050</b>
	60	1.5	0.2	ST7190 <b>04 x 060</b>
	80	1.5	0.2	ST7190 <b>04 x 080</b>
	100	1.5	0.2	ST7190 <b>04 x 100</b>
5	50	1.5	0.2	ST7190 <b>05 x 050</b>
	60	1.5	0.2	ST7190 <b>05 x 060</b>
	80	1.5	0.2	ST7190 <b>05 x 080</b>
	100	1.5	0.2	ST7190 <b>05 x 100</b>
6	60	2.0	0.4	ST7190 <b>06 x 060</b>
	80	2.0	0.4	ST7190 <b>06 x 080</b>
	100	2.0	0.4	ST7190 <b>06 x 100</b>
	125	2.0	0.4	ST7190 <b>06 x 125</b>
8	80	2.0	0.4	ST7190 <b>08 x 080</b>
	100	2.0	0.4	ST7190 <b>08 x 100</b>
	125	2.0	0.4	ST7190 <b>08 x 125</b>
	160	2.0	0.4	ST7190 <b>08 x 160</b>
10	80	3.0	0.6	ST7190 <b>10 x 080</b>
	100	3.0	0.6	ST7190 <b>10 x 100</b>
	125	3.0	0.6	ST7190 <b>10 x 125</b>
	160	3.0	0.6	ST7190 <b>10 x 160</b>

Active elements

Spring elements

Nitrogen systems

Tapping units

Module system

Machine elements

Accessories